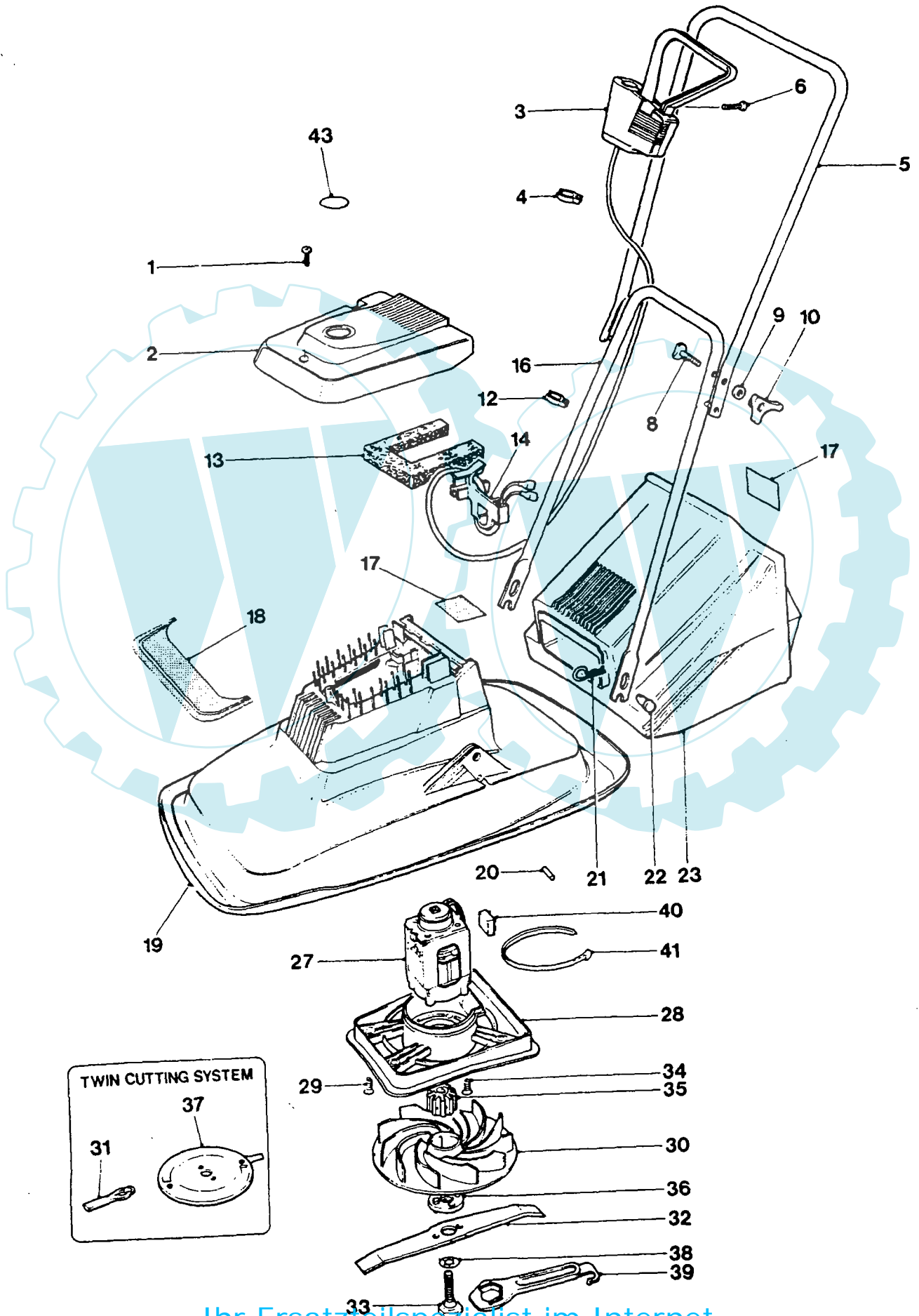


Flymo

XE300-11 9633025 9633026



Flymo

XE300-11 9633025 9633026

KEY	PART NUMBER	DESCRIPTION	QUANTITY	APPLICATION
01	5146736-00/3	Screw,high/low	1	
02	5126281-08/0	Cover assembly	1	GB,EI.
	5126281-09/8	Cover assembly	1	
03	5126891-16/6	Switchbox	1	GB,EI.
	5126901-38/7	Switchbox	1	S.
	5126901-39/5	Switchbox	1	D.
	5126901-40/3	Switchbox	1	A,B,F,NL,E,P,I.
04	5137750-00/5	Cable clip	1	
05	5126816-02/3	Handle/label assembly	1	GB,EI.
	5126242-03/0	Handle,upper	1	
06	5148552-01/0	Screw,3.5mm self tapping	2	
08	5140607-00/2	Handle bolt,1/4unc x 45mm	2	
09	5140266-00/7	Washer,M6	2	
10	5140690-00/8	Wing knob	2	
12	5137750-00/5	Cable clip	1	
13	5137638-00/2	Filter	1	
14	5126741-00/7	Clamp,plastic	1	
16	5117082-00/7	Handle,lower	1	
17	5146467-00/5	Label,warning	1	GB,EI.
	5137964-00/2	Label,warning	1	E,P,I.
	5136708-01/2	Label,warning	1	A,B,F,NL.
	5136507-00/0	Label,warning	1	D.
	5148371-00/7	Label,warning	1	S.
18	5126885-00/2	Label,Flymo	1	
19	5126819-01/9	Hood,30cm	1	
20	5147594-00/5	Pin	2	
21	5140423-00/4	Retaining pin	2	
22	5140092-00/7	Pivot pin	2	
23	5117079-03/7	Grassbox	1	
27	5150007-01/0	Motor,240v	1	GB.
	5150007-02/8	Motor,220v	1	
28	5106491-00/3	Motor mounting plate	1	
29	5146736-00/3	Screw,high/low	4	
30	5116967-10/9	Impeller	1	
31	5148257-02/4	Plastic cutter	2	
32	5126439-00/8	Blade,30cm	1	
33	5137608-00/5	Blade bolt c/w PTFE washer	1	
34	5148122-01/2	Screw,plastite 10 x 19mm	4	
35	5126764-00/9	Insert,plastic	1	
36	5136668-01/8	Blade spacer	3	
37	5126734-00/2	Disc assembly,30cm	1	
38	5148259-00/4	PTFE washer	1	
39	5126682-00/3	Spanner/scrapper	1	
40	322814-00/5	Rectifier	1	
43	5137855-00/2	Label,autostop	1	
44	5126240-00/0	Cable runner	1	EI,D,DK,N,I.(Not illustrated)
45	5147793-00/3	Clip	2	D,DK,N,I.(Not illustrated)
500	5127090-05/7	Mains cable	1	GB,EI.(Not illustrated)

A Austria; AUS Australia; B Belgium; CND Canada; CH Switzerland; D Germany; DK Denmark; E Spain; EI Eire; F France; GB Great Britain; Italy; N Norway; NL Netherlands; NZ New Zealand; O/S Overseas; P Portugal; S Sweden; SF Finland; USA America; ZA South Africa:

WHERE NO APPLICATION DETAILS ARE SHOWN,PART APPLIES TO ALL COUNTRIES

9633025-01	GB.	9633026-72	A,B,F,NL.
9633026-18	EI.	9633026-78	D.
9633026-24	A,B,F,NL.	9633026-79	S.

Ihr Ersatzteilspezialist im Internet